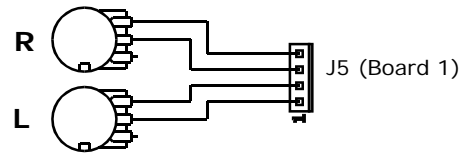


9090 Analogue Drum Synthesiser

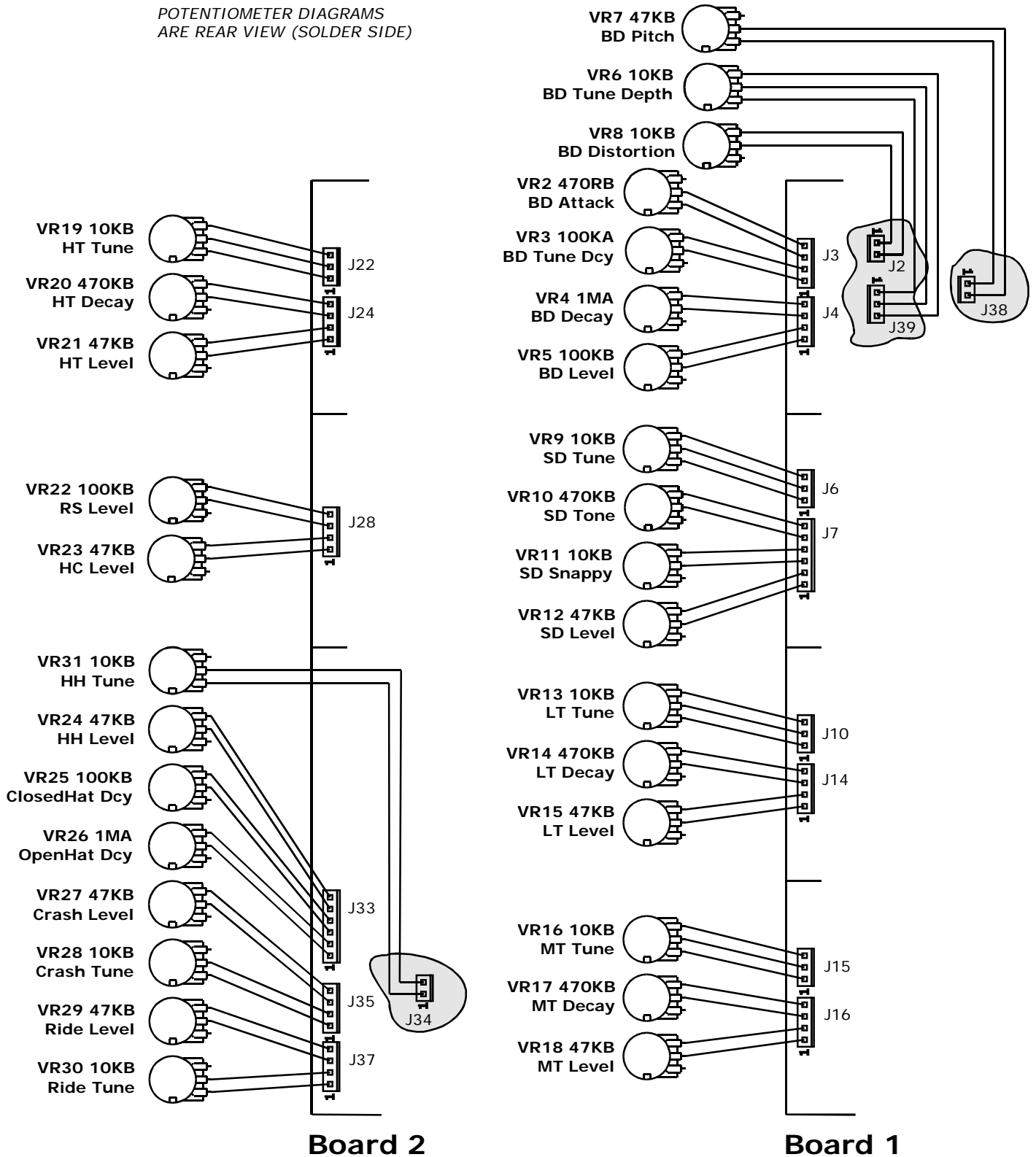
Wiring guide - Part One

MASTER VOLUME
VR32 47KB DUAL



WIRING FOR DRUM VOICE POTENTIOMETERS

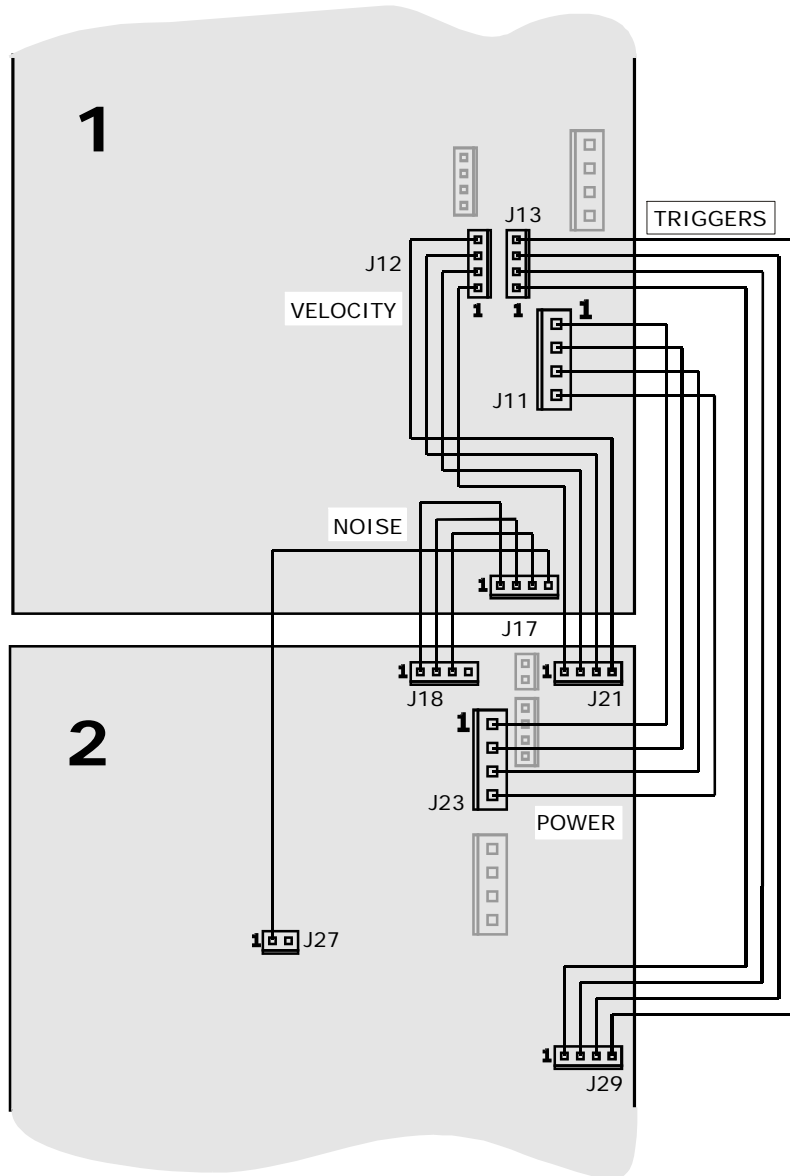
POTENTIOMETER DIAGRAMS
ARE REAR VIEW (SOLDER SIDE)



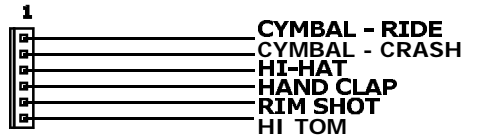
9090 Analogue Drum Synthesiser

Wiring guide - Part Two

WIRING BETWEEN BOARD 1 AND 2: POWER, NOISE, TRIGGER AND VELOCITY SIGNALS



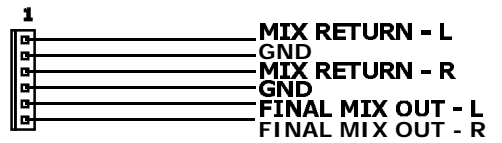
INDIVIDUAL VOICE OUTPUTS AND MAIN MIX AMPLIFIER



J26
DRUM OUTPUTS FROM BOARD 2

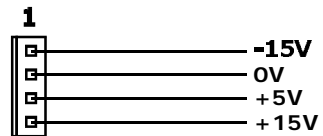


J9
DRUM OUTPUTS FROM BOARD 1

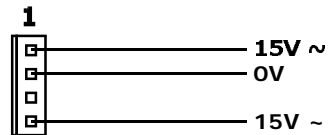


J1
AMP

AC POWER INPUT AND SPARE POWER OUT



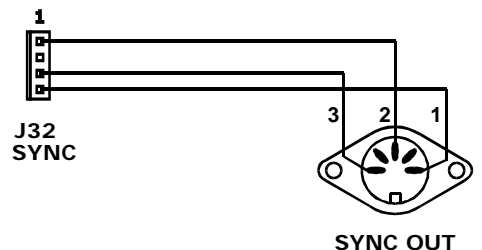
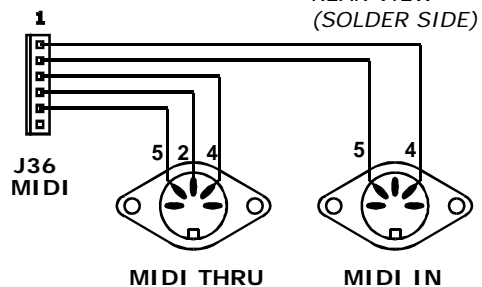
J25
DC POWER OUTPUT
(SPARE)



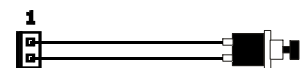
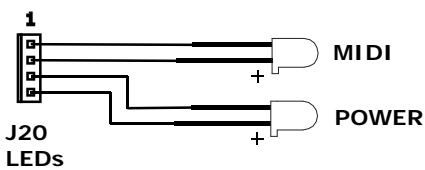
J8
AC POWER
INPUT

MIDI AND SYNC

5-PIN DIN
REAR VIEW
(SOLDER SIDE)



LEDS AND CONFIGURE SWITCH



J19
CONFIGURE
PUSHSWITCH